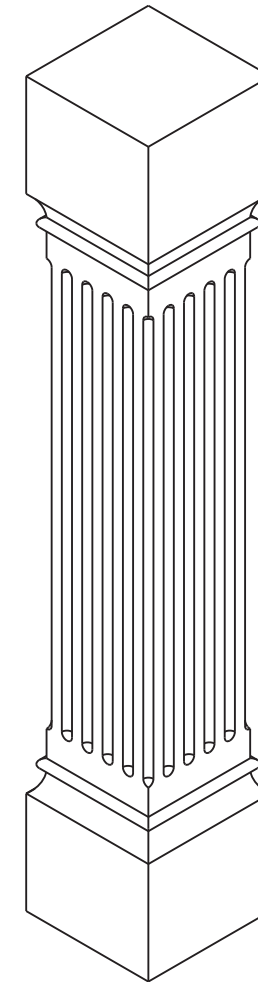
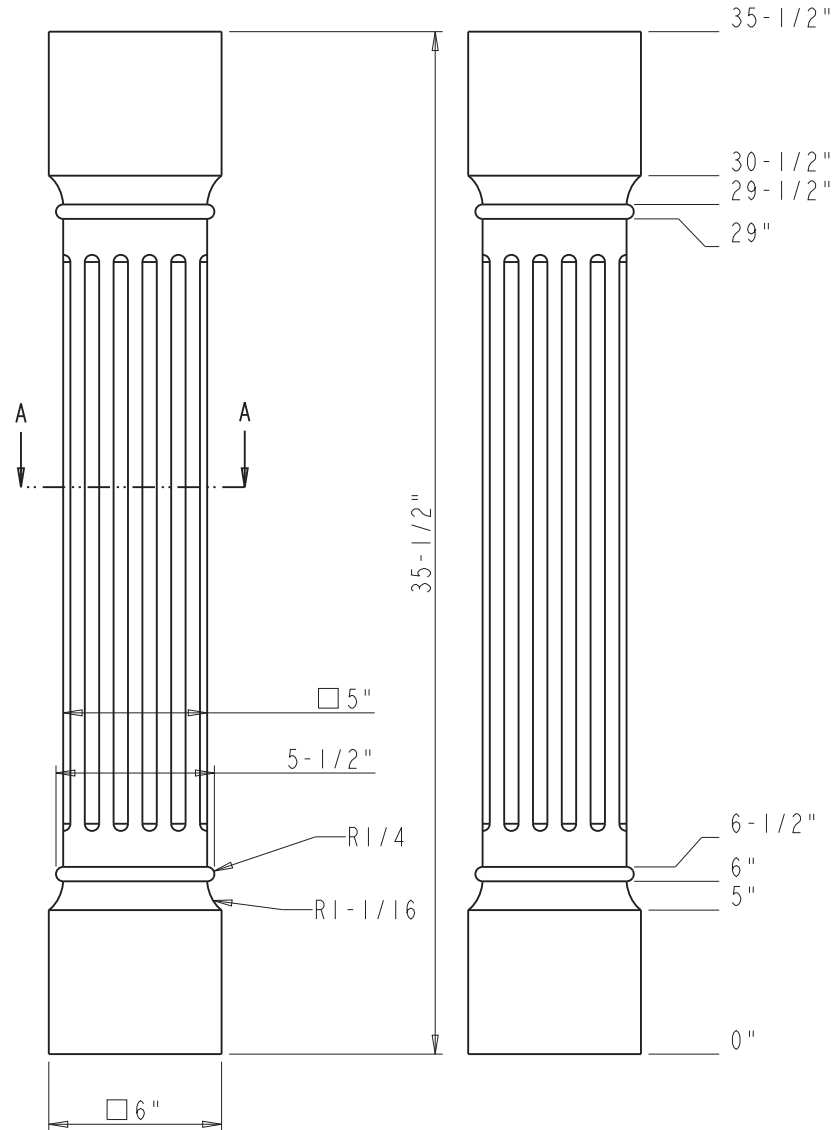


SECTION A-A
SCALE 2:1



	ITEM:	P27-6		MATERIAL:	PTC_MATERIAL_NAME	
	FINISH:			WEIGHT:	0.000 g	
PROPRIETARY AND CONFIDENTIAL THE INFORMATION CONTAINED IN THIS DRAWING IS THE SOLE PROPERTY OF HARDWARE RESOURCES INC. ANY REPRODUCTION IN PART OR AS A WHOLE WITHOUT THE WRITTEN PERMISSION OF HARDWARE RESOURCES INC. IS PROHIBITED.	TOLERANCE UNLESS OTHERWISE SPECIFIED: X ±0.20 XX ±0.10 XXX ±0.05 ANGULAR: ±0.5°		UNITS:	DRAWN BY:	DATE:	
	DO NOT SCALE DRAWING		SIZE:	APPROVED BY:	DATE:	
			SHEET:	RELEASE LEVEL:	REVISION:	
			1 OF 1			